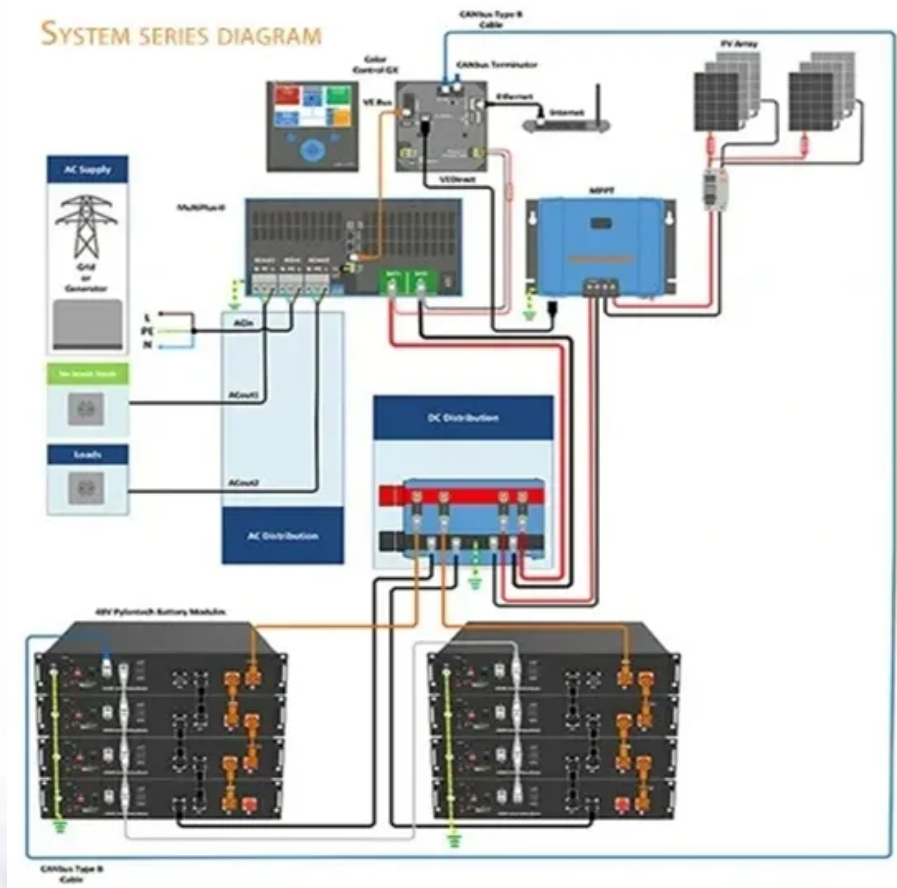


Kongres Container

How many solar panels are needed to generate 5kw of solar power



Overview

To generate 5 kW of power, you will need approximately 20 solar panels, each producing around 250 watts. Factors like efficiency and location can affect the number needed.

How many solar panels are needed to generate 5kw of solar power

Contact Us

For catalog requests, pricing, or partnerships, please visit:
<https://www.drugiswiatowykongrespolakow.pl>